

The
POWER *In*
PRESENTATION PRODUCTS



Instruction Book for
ADVANTAGE® DELUXE ELECTROL®



DA-LITE SCREEN COMPANY, INC.

3100 North Detroit Street
Post Office Box 137
Warsaw, Indiana 46581-0137
Phone: 574-267-8101
800-622-3737
Fax: 574-267-7804
www.da-lite.com
e-mail: info@da-lite.com

IMPORTANT SAFETY INSTRUCTIONS

When using your video equipment, basic safety precautions should always be followed, including the following:

1. Read and understand all instructions before using.
2. Position the cord so that it will not be tripped over, pulled, or contact hot surfaces.
3. If an extension cord is necessary, a cord with a current rating at least equal to that of the appliance should be used. Cords rated for less amperage than the appliance may overheat.
4. To reduce the risk of electric shock, do not disassemble this appliance. Contact an authorized service dealer when repair work is required. Incorrect reassembly can cause electric shock when the appliance is used subsequently.
5. The use of an accessory attachment not recommended by the manufacturer may cause a risk of fire, electric shock, or injury to persons.

SAVE THESE INSTRUCTIONS

PRE-INSTALLATION

1. Carefully unpack screen and remove outer wrapping from case.
2. Make sure to recheck measurements of screen location before installation.

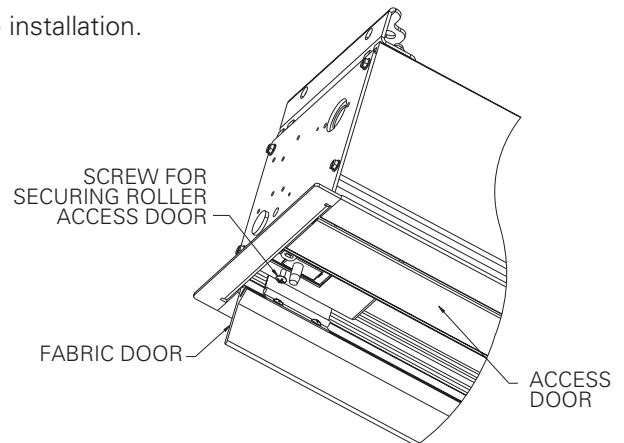


FIGURE 1

CASE INSTALLATION

1. The case provides multiple attachment points for bolts, cables, or threaded rod. Page 5 shows threaded rod installed. The variable position-mounting bracket may be located anywhere along the length of the case. It is recommended to keep the brackets spaced evenly enough to distribute the weight of the screen. The case has a self-trimming flange around the bottom. Ceiling tiles or drywall may be placed on top of this flange to provide a finished appearance.
2. After securing the case in the ceiling check that the case is level and plumb.
3. Install electrical connections that apply to your unit. Review the wiring diagrams on pages 3 and 4 for proper installation. If your screen has the built in SCB-100 or SCB-200, please refer to separate instructions.

SCREEN AND ROLLER ASSEMBLY INSTALLATION

If your screen was shipped with the motor and roller already installed proceed to step 6.

1. Remove the screw from each end of the access door (front door) and open the door. See figure 1.
2. Carefully unpack screen and roller assembly. Leave packing paper on the roller.
3. Place the roller assembly into the case with the motor on the left side. The limit switches should be facing down. Line up the square pin on the motor with the square hole in the bracket.
4. Lift the pin end (right end) of the roller into position and slide the bracket onto the roller pin. Tighten two nuts to secure the bracket.
5. Complete electrical hook-up by snapping motor wire connector into case connector.

CAUTION! DO NOT CUT TAPE ON FABRIC WITH A KNIFE OR ANY SHARP TOOL. REMOVE BY HAND.

6. Carefully remove tape strips securing picture surface around roller. Slat should move freely (Fig. 2). (Only if the roller assembly is preinstalled.)
7. Test installation by operating the screen several times. Be prepared to stop the screen. The fabric door (rear door) will not close until the wall switch is placed in the up position and when the screen motor stops at its limit switch in the up direction.

NOTE: Excessive continuous operation may cause the motor to overheat. If this happens the motor will shut off until it cools to a normal operating temperature.

8. Run the screen down enough to open the fabric door. Close the access door and reinstall the screws to secure the door.

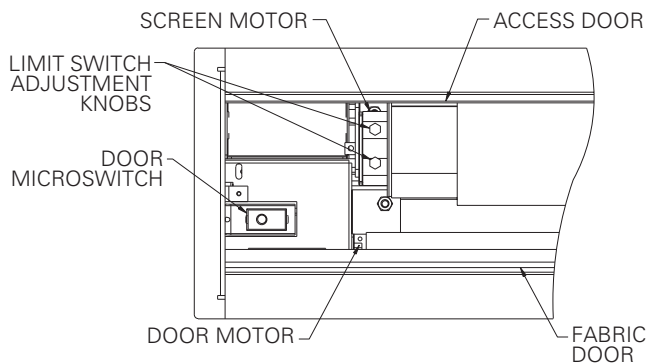


FIGURE 2

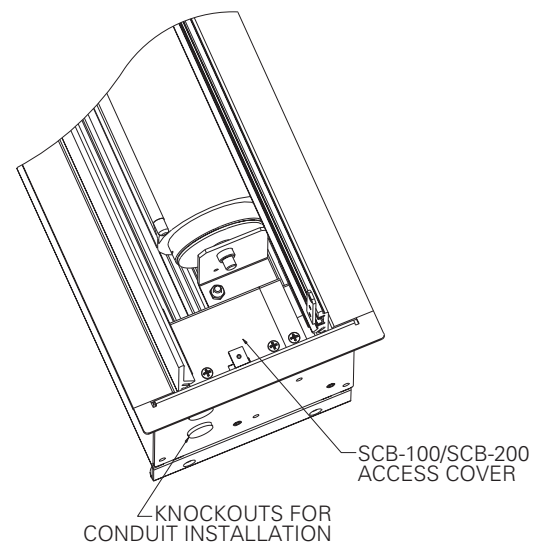


FIGURE 3

SCREEN ADJUSTMENT

Surface travel is stopped automatically in the fully opened and closed positions by limit switches that are properly adjusted at Da-Lite. Should it be necessary to adjust for more or less drop of picture, proceed in the following manner:

NOTE: Use a screw driver or Allen wrench to make adjustments.

MORE SCREEN DROP

1. Place operating switch in "down" position.
2. When the screen stops, turn the white "down" limit knob (Fig. 2) one-quarter turn counterclockwise. Test by raising picture surface approximately two feet, then lower again. Repeat until desired picture surface position is attained.

NOTE: Must leave 1-1/2 wraps of fabric on roller.

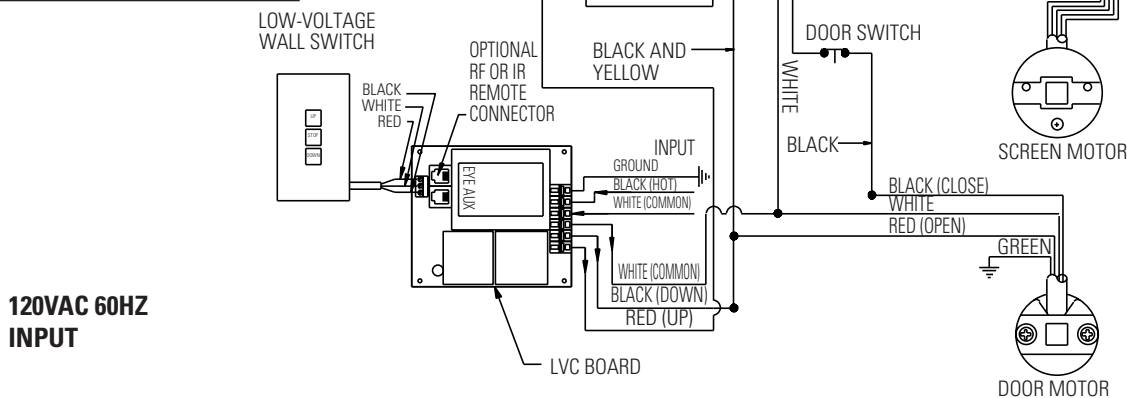
LESS SCREEN DROP

1. Raise picture surface approximately two feet above desired level.
2. Place operating switch in "off" position.
3. Turn the white "down" limit switch (Fig. 2) one-quarter turn clockwise. Test by raising picture surface approximately two feet, then lower again. Repeat until desired picture surface position is attained.

ADVANTAGE® DELUXE ELECTROL® INSTRUCTIONS

NOTE: Electrical connections on left end of case.

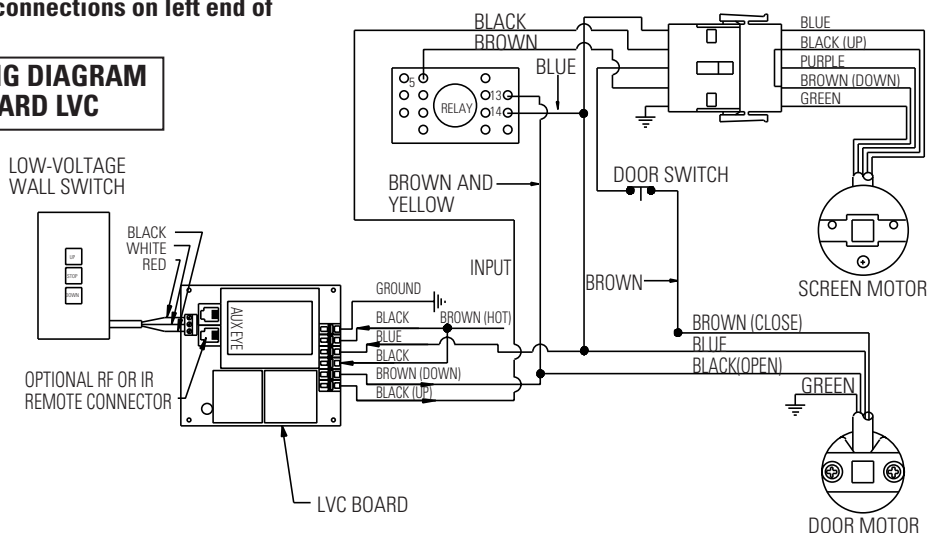
120V WIRING DIAGRAM WITH ONBOARD LVC



120VAC 60HZ INPUT

NOTE: Electrical connections on left end of case.

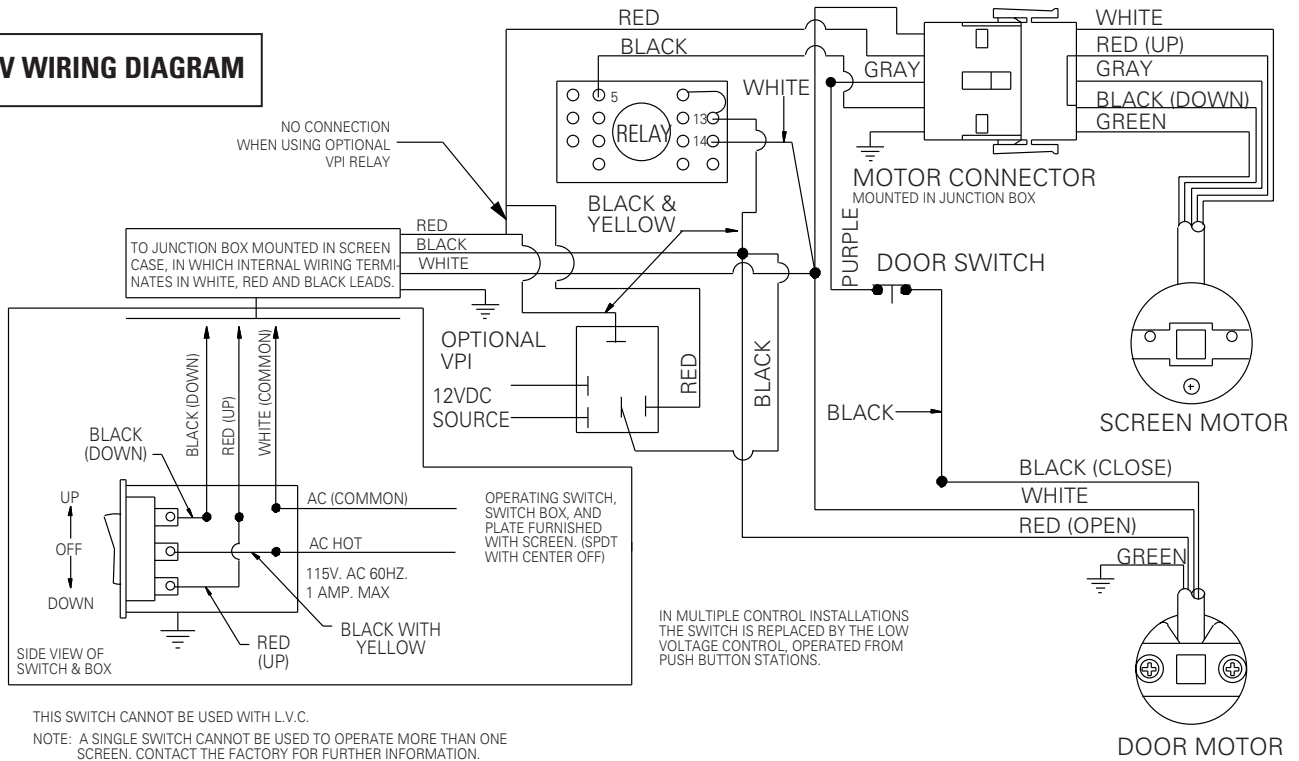
220 / 240V WIRING DIAGRAM WITH ONBOARD LVC



220/240VAC 50/60HZ INPUT

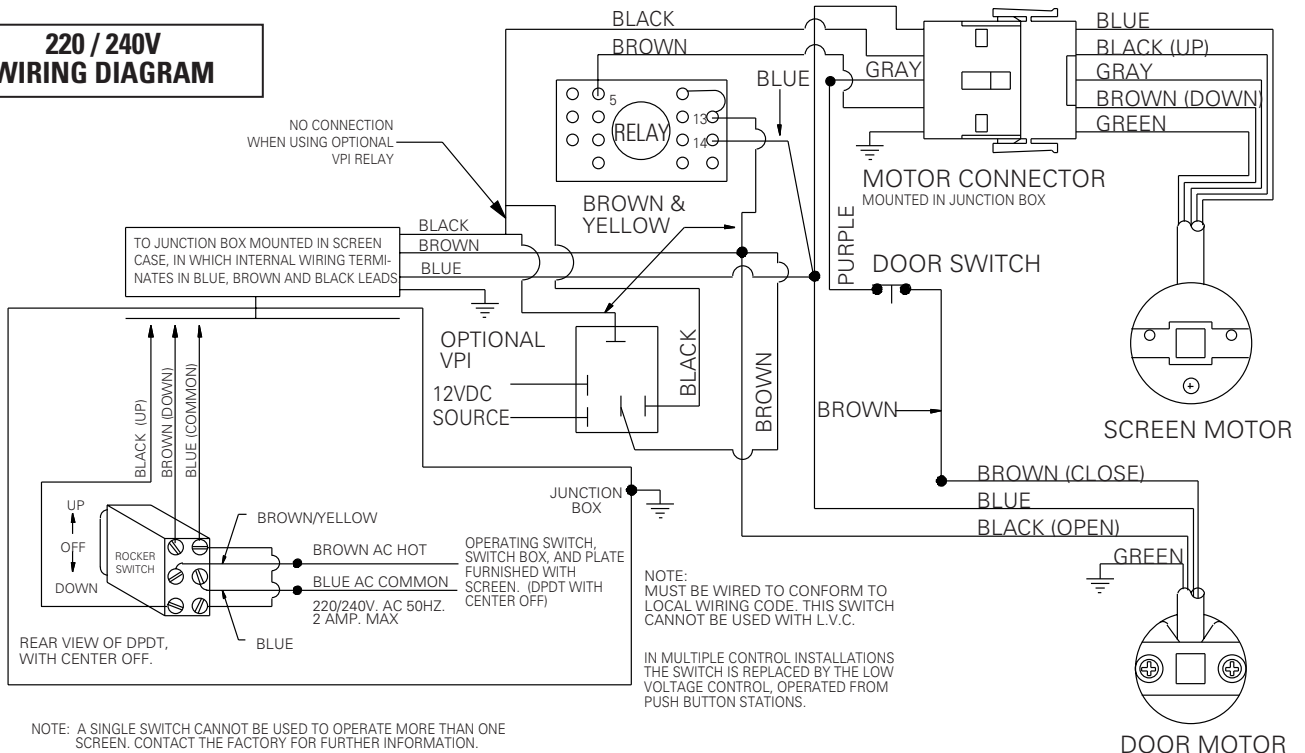
NOTE: Electrical connections on left end of case.

120V WIRING DIAGRAM

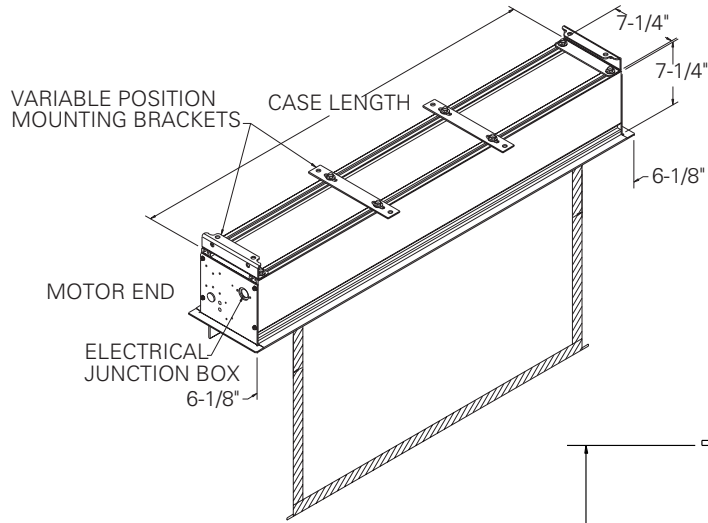


NOTE: Electrical connections on left end of case.

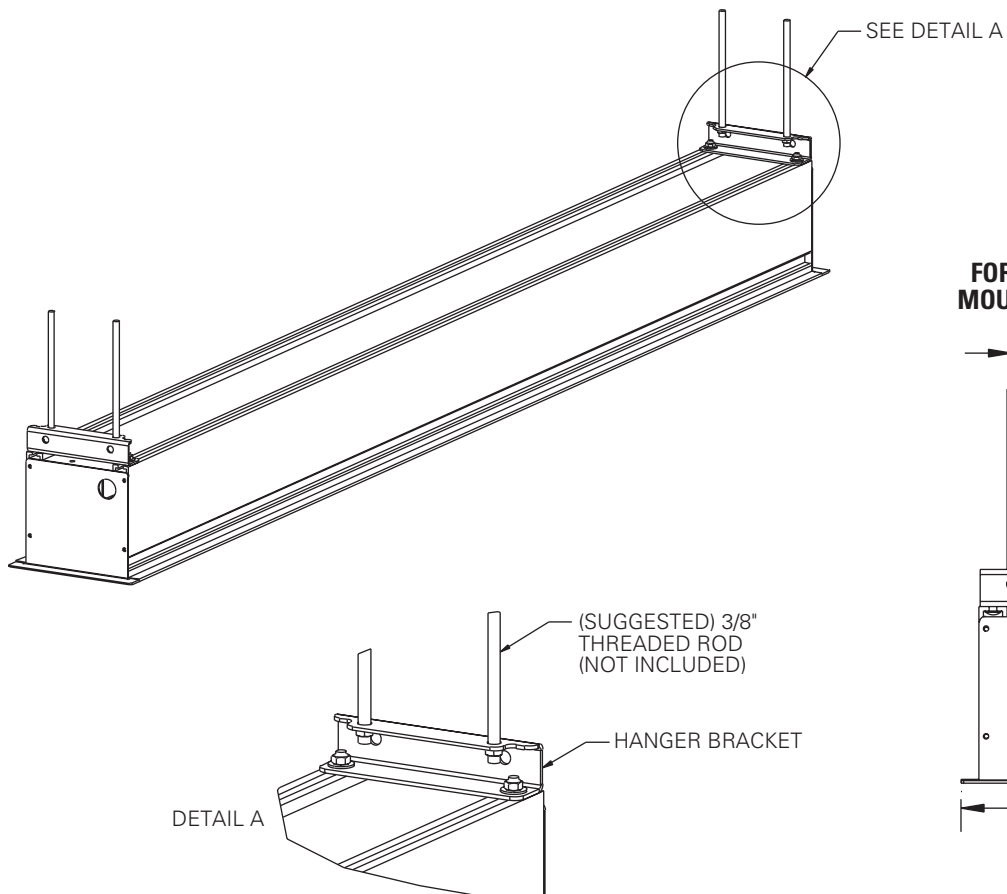
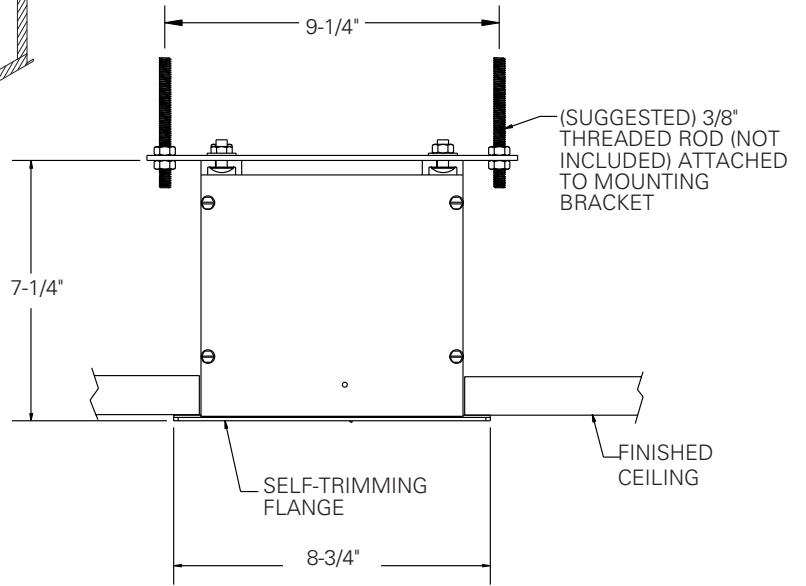
220 / 240V WIRING DIAGRAM



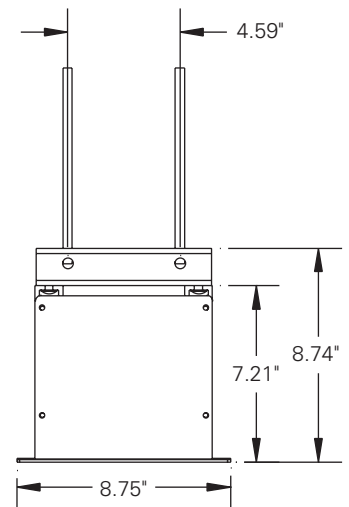
ADVANTAGE® DELUXE ELECTROL® INSTALLATION



FLAT BAR MOUNTING METHOD



FORMED BRACKET MOUNTING METHOD



TROUBLESHOOTING

SYMPTOM	CAUSE	SOLUTION
<p>1. Screen will not operate or will not go "down". Motor does not hum.</p> <p>Motor hums.</p>	<p>(a) Blown facility fuse.</p> <p>(b) Tripped facility circuit breaker.</p> <p>(c) No power to operating switch or junction box.</p> <p>Power at junction box.</p> <p>(d) Thermal overload tripped.</p> <p>(e) Broken wire in the "down" position.</p> <p>(f) Defective motor, limit switch or capacitor.</p> <p>(g) Temporary binding.</p> <p>(h) Capacitor burned out.</p>	<p>(a) Replace facility fuse.</p> <p>(b) Reset facility circuit breaker.</p> <p>(c) Check above. Tighten all loose wire connections. Recheck wiring. See installation instructions.</p> <p>"Down" Position Check for power across black and white leads.</p> <p>(d) Let motor cool down for 15 minutes. Try again.</p> <p>(e) Check for continuity.</p> <p>(f) Replace motor assembly. NOTE: Motor is a sealed assembly.</p> <p>(g) With power "off", turn roller by hand to free binding.</p> <p>(h) Replace motor assembly.</p>
<p>2. Screen will not move upward. Motor does not hum.</p> <p>Motor hums.</p>	<p>(a) Blown facility fuse.</p> <p>(b) Tripped facility circuit breaker.</p> <p>(c) No power to operating switch or junction box.</p> <p>(d) Open door limit switch.</p> <p>Power at junction box</p> <p>(e) Thermal overload tripped.</p> <p>(f) Broken wire in the "up" position.</p> <p>(g) Defective motor, limit switch or capacitor.</p> <p>(h) Temporary binding.</p> <p>(i) Capacitor burned out.</p>	<p>(a) Replace facility fuse.</p> <p>(b) Reset facility circuit breaker.</p> <p>(c) Check above. Tighten all loose wire connections. See above.</p> <p>"Up" Position Check for power across red and white leads.</p> <p>(d) Replace switch.</p> <p>(e) Let motor cool down for 15 minutes. Try again.</p> <p>(f) Check for continuity.</p> <p>(g) Replace motor assembly. NOTE: Motor is a sealed assembly.</p> <p>(h) With power "off", turn roller by hand to free binding.</p> <p>(i) Replace motor assembly.</p>
<p>3. Door will not open.</p>	<p>(a) Hinge is bound or has a foreign substance on it which does not allow it to open by gravity.</p>	<p>(a) Check installation to free door. Clear any foreign substance; i.e., paint or plaster from hinge.</p>

TROUBLESHOOTING

SYMPTOM	CAUSE	SOLUTION
4. Door does not close.	(a) Open door limit switch.	(a) Replace switch.
5. "Down" limit switch incorrect.	(a) "Down" limit switch out of adjustment.	(a) See installation instructions.
6. Noise. NOTE: Screen will operate with a low-pitched hum.	(a) Squeaking, rubber end plug rubbing on motor. (b) Grinding. Foreign object in screen rubbing on roller or fabric. (c) Gear noise.	(a) Center roller in case. (b) Remove foreign object. (c) Replace motor assembly.
7. Coasting.	(a) Defective brake.	(a) Replace motor assembly.
8. Roller displaced from mounting bracket.	(a) Pin end slipped out of nylon bearing.	(a) Remove pin end mounting. Realign motor in tube. Reattach pin end.
9. Fabric hangs crooked.	(a) Screen not installed properly. (b) Fabric has backed up inside case. (c) Fabric is damaged.	(a) Check for level and plumb. (b) Adjust "down" limit switch slowly until roller is exposed and wrinkle comes out, then readjust for proper drop. (c) Replace fabric.