

Installation Guide (PLT-412)

V: 4.0

PLT

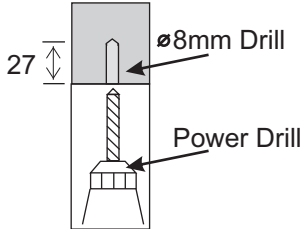
Warning

Caution with main supply and live wires. Install with qualified technician or trained personnel.

Types of Installation Mount

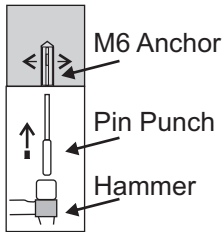
Steps for Installation

Step 1



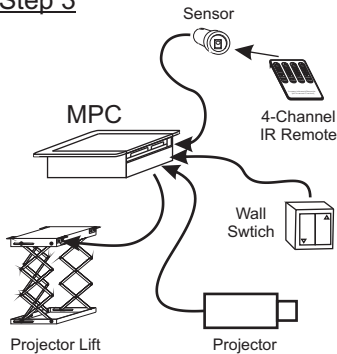
A) Drill Dia. 8mm holes to a depth of 27mm. (Note: Do not drill too deep)

Step 2

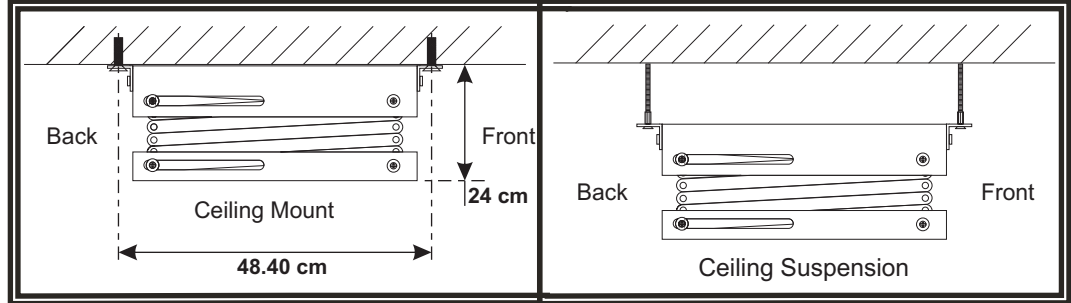


B) Insert M6 anchor into the hole. C) Use pin punch to expand the anchor.

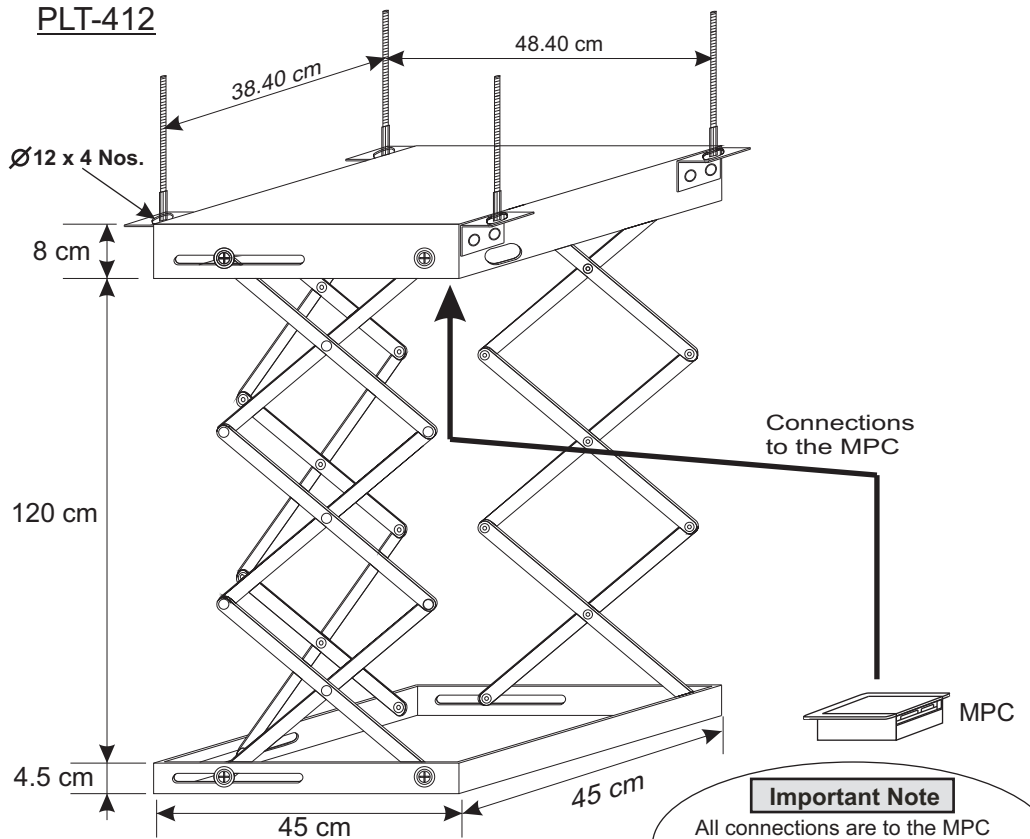
Step 3



D) Connection of all cables to the MPC-850 (Refer to Installation Guide for MPC-850)



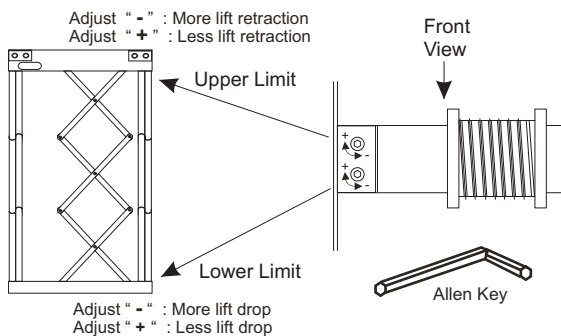
PLT-412



Important Note

All connections are to the MPC. For connection details, please refer to the Installation Guide provided.

Step 4



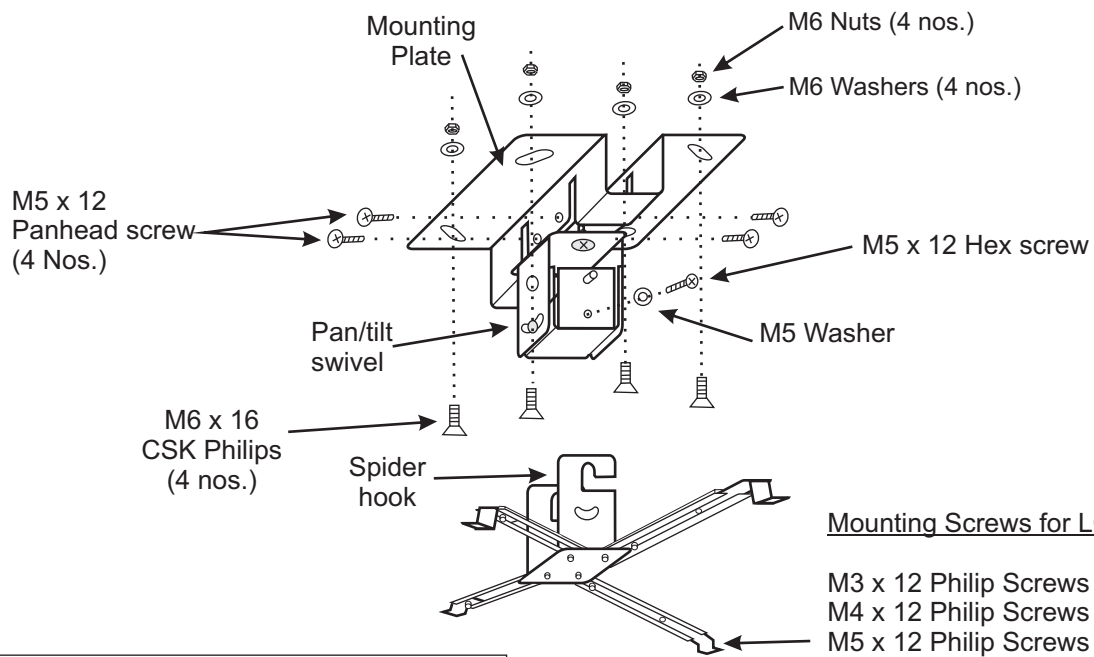
Important Note

Do not adjust the Upper Limit of the lift higher than the original factory preset position.

If adjusted, the lift will move into the frame and be stopped by force and not the Upper Limit Switch. This will cause overheating of the motor, rendering the lift to be unable to operate properly.

Continue next page

Projector Spider Bracket



Mounting Screws for LCD/DLP Projector:

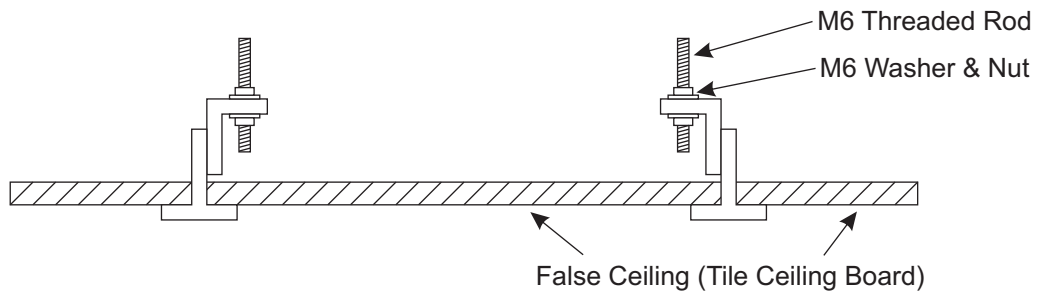
- M3 x 12 Philip Screws (4 nos.)
- M4 x 12 Philip Screws (4 nos.)
- M5 x 12 Philip Screws (4 nos.)
- M3 washer (4 nos.)
- M4 washer (4 nos.)
- M5 washer (4 nos.)

Important Notes:

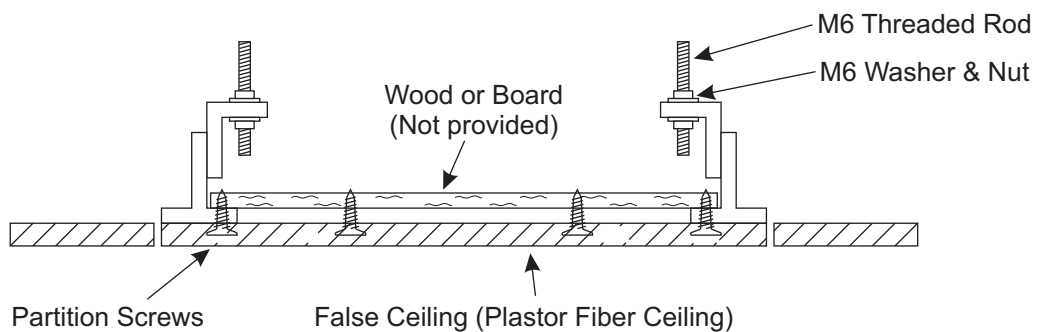
All spider brackets are thoroughly inspected and fully tested operational in factory. We accept no liability whatsoever for any losses due to improper operation, or any unauthorized alternation. All trademarks contained in this installation guide are the property of their respective owners.

False Ceiling Support

Option 1



Option 2



End